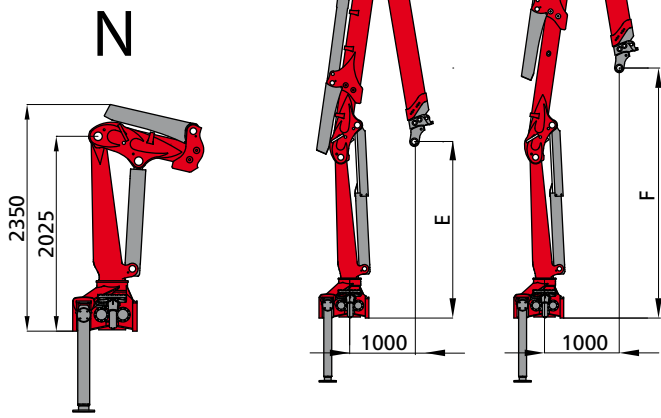
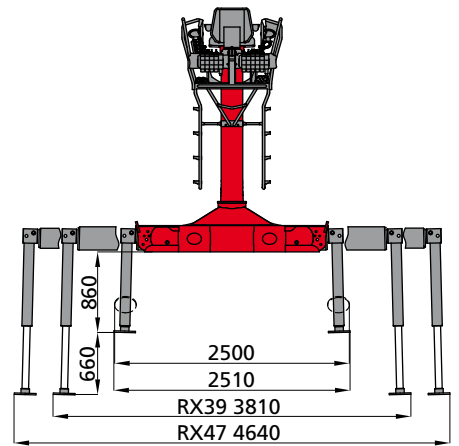
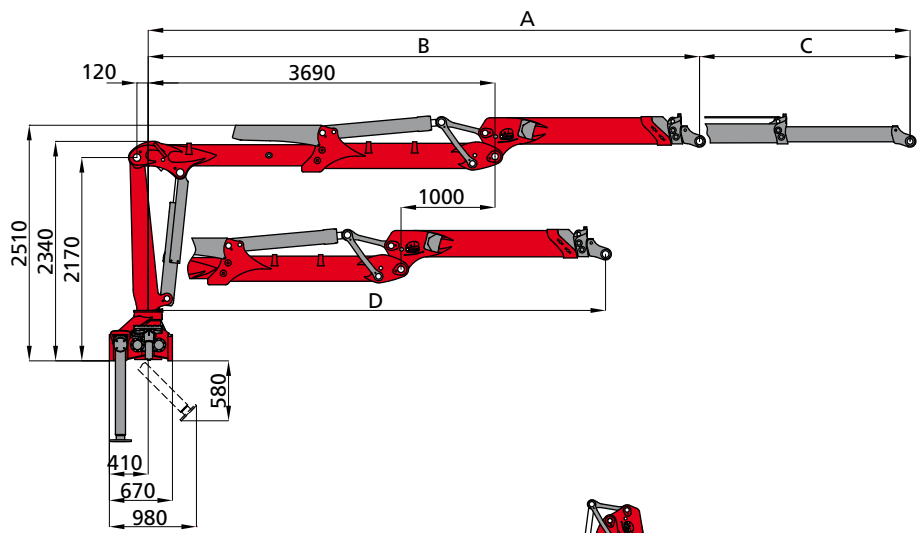


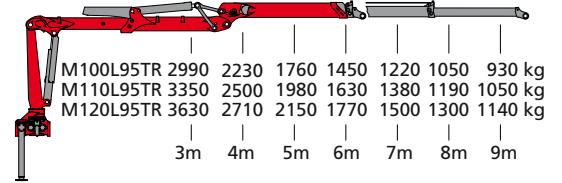
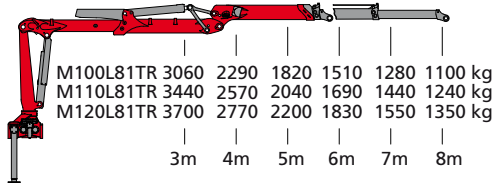
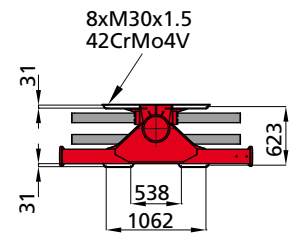
**TRIPLE - L**  
**M100L**  
**M110L**  
**M120L**

[WWW.PALFINGEREPSILON.COM](http://WWW.PALFINGEREPSILON.COM)





	81 TR	95 TR
A	8110	9490
B	5870	6330
C	2240	3160
D	4870	5330
E	2890	2410
F	3840	3360



		M100L		M110L		M120L	
		81TR	95TR	81TR	95TR	81TR	95TR
<b>ONROAD RECYCLING</b>							
	[kNm]	92	90	103	100	111	109
	[kNm]	24		27		28	
	[°]	425					
	[m]	8,1	9,5	8,1	9,5	8,1	9,5
	[bar]	215		235		250	
	1K [l/min]	1 x 80					
	2K [l/min]	2 x 70					
	1K LS [l/min]	1 x 130					
	[kg]	2330	2400	2360	2430	2400	2470