

TRIPLE - Z

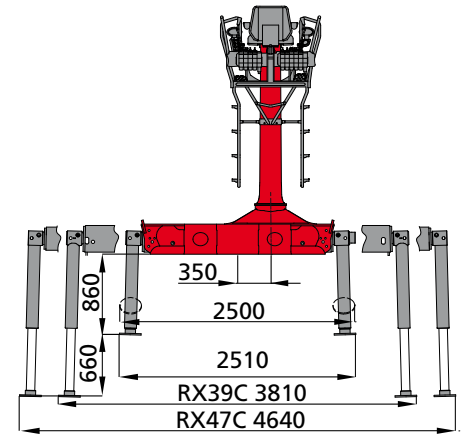
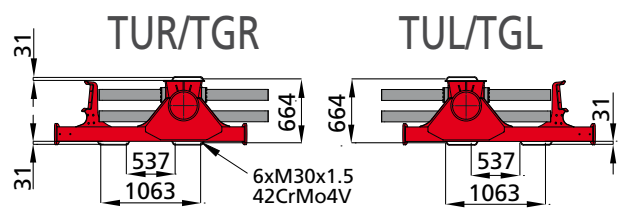
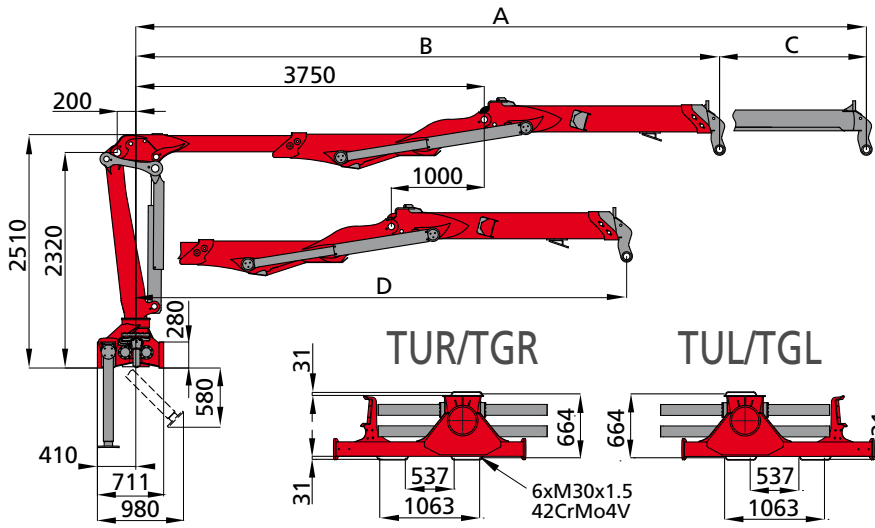
M100Z

M110Z

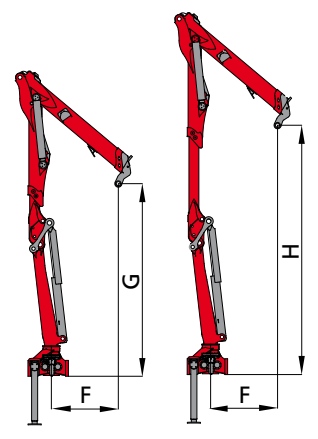
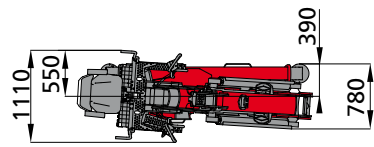
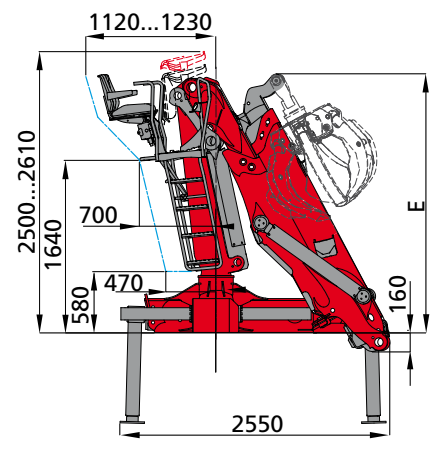
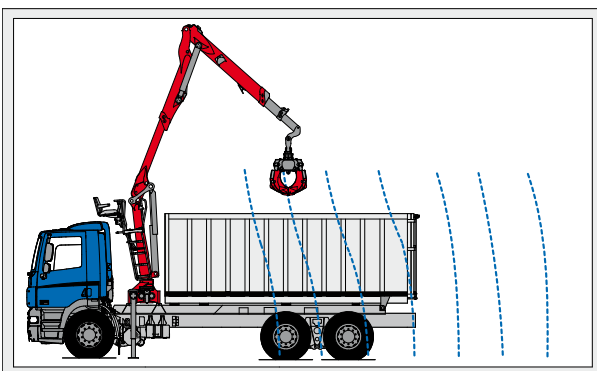
M120Z

LIFETIME EXCELLENCE





	79 TR	95 TR
A	7860	9500
B	6280	6340
C	1580	3160
D	5280	5340
E	2415	2400
F	1230	1180
G	3400	3360
H	4400	4360



	0	1	2	3	4	5	6	7	8	9	
M100 Z 79 TR	3040	2270	1800	1480	1260						kg
M110 Z 79 TR	3250	2440	1940	1600	1360						
M120 Z 79 TR	3480	2610	2080	1710	1460						
M100 Z 95 TR	2920	2170	1710	1400	1170	1010	890				
M110 Z 95 TR	3140	2340	1850	1510	1280	1100	970				
M120 Z 95 TR	3360	2510	1990	1630	1370	1190	1040				

		M100Z		M110Z		M120Z	
		79TR	95TR	79TR	95TR	79TR	95TR
ONROAD RECYCLING							
	[kNm]	91	88	98	94	104	101
	[kNm]	24		27		28	
	[°]	425					
	[m]	7,9	9,5	7,9	9,5	7,9	9,5
	[bar]	260		275		290	
	1K [l/min]	1 x 80					
	2K [l/min]	2 x 70					
	1K LS [l/min]	1 x 130					
	[kg]	2360	2460	2390	2490	2430	2530
		1	2	1	2	1	2