

TIPPER - Z

M100Z

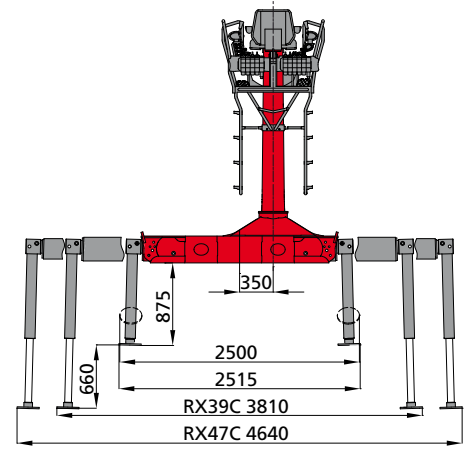
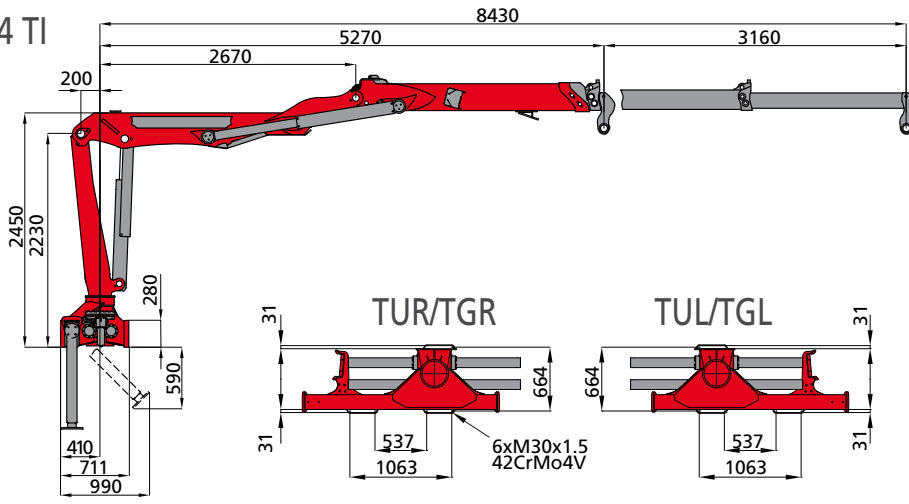
M110Z

M120Z

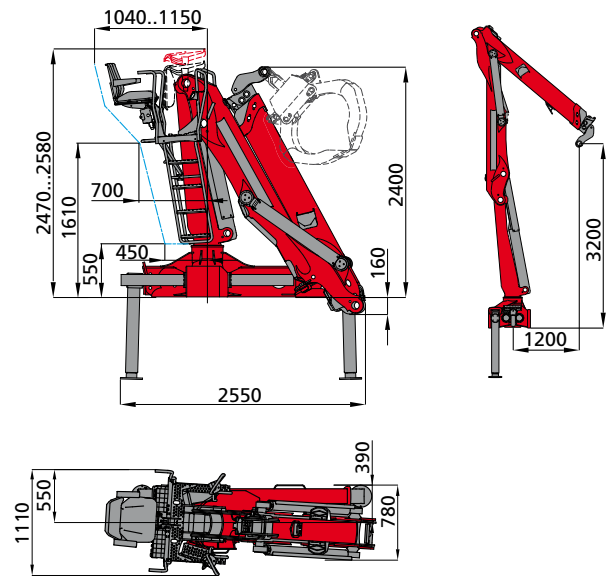
LIFETIME EXCELLENCE



84 TI



	0	1	2	3	4	5	6	7	8m	
M100 Z 84 TI				3100	2310	1820	1490	1270	1090	kg
M110 Z 84 TI				3350	2500	1970	1630	1380	1180	
M120 Z 84 TI				3580	2680	2130	1750	1490	1250	



		M100Z	M110Z	M120Z
		84TI	84TI	84TI
ONROAD RECYCLING				
	[kNm]	93	101	107
	[kNm]	24	27	29
	[°]	425		
	[m]	8,4		
	[bar]	230	245	260
	1K [l/min]	1 x 80		
	2K [l/min]	2 x 70		
	1K LS [l/min]	1 x 130		
	[kg]	2210	2240	2270