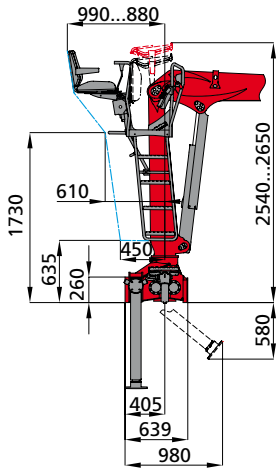
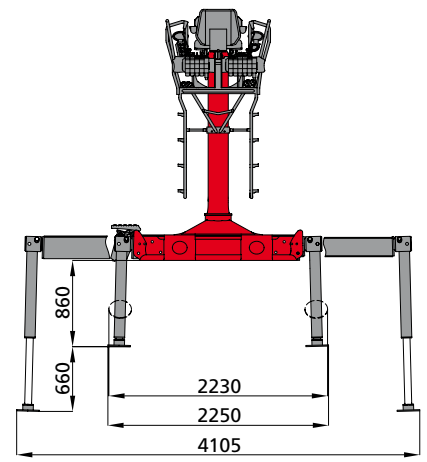
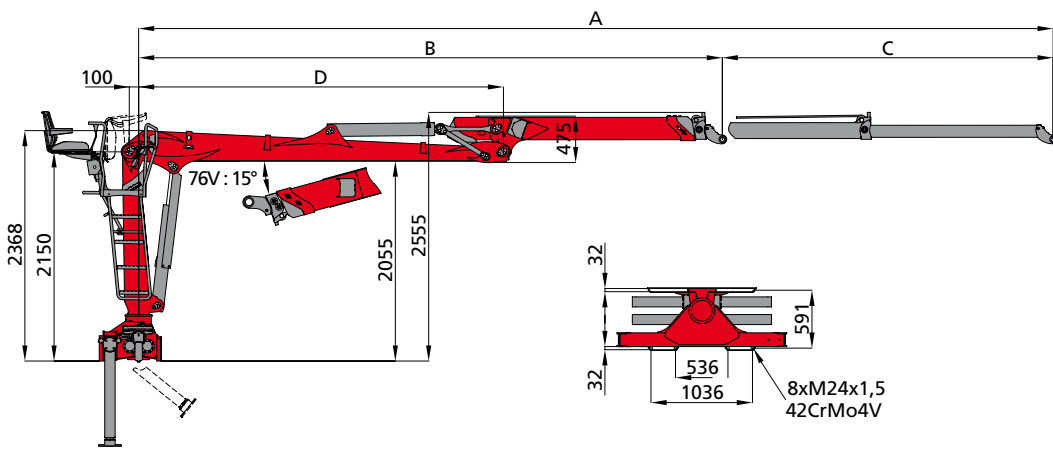


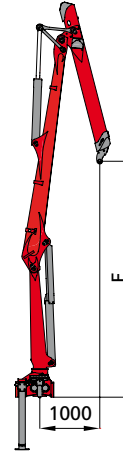
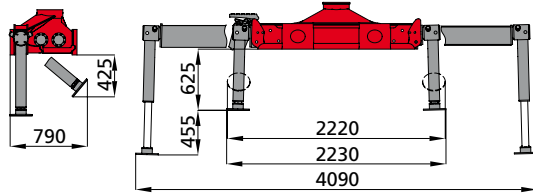
**C70L
C80L**

LIFETIME EXCELLENCE





VA



	94	77	76V
A	9400	7735	7620
B	6000	5885	4460
C	3400	1850	3160
D	3750	3750	2750
E	3810	3930	3450

94

	C70L94	2160	1610	1270	1040	880	760	670 kg
	C80L94	2450	1820	1440	1180	1000	870	760 kg
		3m	4m	5m	6m	7m	8m	9m

76V

	C70L76V	2230	1660	1310	1080	920 kg
	C80L76V <td>2510</td> <td>1870</td> <td>1480</td> <td>1220</td> <td>1040 kg</td>	2510	1870	1480	1220	1040 kg
		3m	4m	5m	6m	7m

77

	C70L77	2240	1680	1340	1110	940 kg
	C80L77 <td>2530</td> <td>1890</td> <td>1510</td> <td>1250</td> <td>1060 kg</td>	2530	1890	1510	1250	1060 kg
		3m	4m	5m	6m	7m

		C70L			C80L		
		77	94	76V	77	94	76V
ONROAD RECYCLING							
	[kNm]	67	65	67	76	74	75
	[kNm]	18			20		
	[°]	425					
	[m]	7,7	9,4	7,6	7,7	9,4	7,6
	[bar]	200			220		
	1K [l/min]	1 x 70					
	2K [l/min]	2 x 60					
	[kg]	1690	1760	1800	1710	1780	1820
	RX41 [kN]	57			61		